

FEATURES

- 1 pC charge injection
- ± 2.7 V to ± 5.5 V dual supply
- +2.7 V to +5.5 V single supply
- Automotive temperature range: -40°C to $+125^{\circ}\text{C}$
- 100 pA (maximum at 25°C) leakage currents
- 85 Ω typical on resistance
- Rail-to-rail operation
- Fast switching times
- Typical power consumption (<0.1 μW)
- TTL-/CMOS-compatible inputs
- 14-lead TSSOP package

APPLICATIONS

- Automatic test equipment
- Data acquisition systems
- Battery-powered instruments
- Communication systems
- Sample-and-hold systems
- Remote-powered equipment
- Audio and video signal routing
- Relay replacement
- Avionics

GENERAL DESCRIPTION

The ADG636 is a monolithic device, comprising two independently selectable CMOS single pole, double throw (SPDT) switches. When on, each switch conducts equally well in both directions.

The ADG636 operates from a dual ± 2.7 V to ± 5.5 V supply, or from a single supply of +2.7 V to +5.5 V.

This switch offers ultralow charge injection of ± 1.5 pC over the entire signal range and leakage current of 10 pA typical at 25°C . In addition, it offers on resistance of 85 Ω typical, which is matched to within 2 Ω between channels. The ADG636 also has low power dissipation yet is capable of high switching speeds.

The ADG636 exhibits break-before-make switching action and is available in a 14-lead TSSOP package.

FUNCTIONAL BLOCK DIAGRAM



Figure 1.

PRODUCT HIGHLIGHTS

1. Ultralow charge injection. Q_{INJ} : ± 1.5 pC typical over the full signal range.
2. Leakage current <0.25 nA maximum at 85°C .
3. Dual ± 2.7 V to ± 5 V or single +2.7 V to +5.5 V supply.
4. Automotive temperature range: -40°C to $+125^{\circ}\text{C}$.
5. Small 14-lead TSSOP package.

Rev. A

Information furnished by Analog Devices is believed to be accurate and reliable. However, no responsibility is assumed by Analog Devices for its use, nor for any infringements of patents or other rights of third parties that may result from its use. Specifications subject to change without notice. No license is granted by implication or otherwise under any patent or patent rights of Analog Devices. Trademarks and registered trademarks are the property of their respective owners.

TABLE OF CONTENTS

Features	1	Absolute Maximum Ratings	9
Applications.....	1	ESD Caution.....	9
Functional Block Diagram	1	Pin Configuration and Function Descriptions.....	10
General Description	1	Typical Performance Characteristics	11
Product Highlights	1	Test Circuits.....	13
Revision History	2	Terminology	15
Specifications.....	3	Outline Dimensions	16
Dual Supply	3	Ordering Guide	16
Single Supply	5		

REVISION HISTORY

8/08—Rev. 0 to Rev. A

Updated Format.....	Universal
Changes to Analog Switch Parameter.....	3
Changes to Analog Switch Parameter.....	5
Changes to Analog Switch Parameter.....	7
Change to I_{DD} Parameter.....	8
Changes to Absolute Maximum Ratings	9
Added Table 5; Renumbered Sequentially	10
Moved Truth Table	10
Added Endnote to Table 6.....	10
Changes to Figure 19.....	13
Updated Outline Dimensions	16
Changes to Ordering Guide	16

1/02—Revision 0: Initial Version

SPECIFICATIONS

DUAL SUPPLY

$V_{DD} = 5\text{ V} \pm 10\%$, $V_{SS} = -5\text{ V} \pm 10\%$, $GND = 0\text{ V}$. All specifications -40°C to $+125^\circ\text{C}$, unless otherwise noted.

Table 1.

Parameter	+25°C	-40°C to +85°C	-40°C to +125°C	Unit	Test Conditions/Comments
ANALOG SWITCH					
Analog Signal Range			V_{SS} to V_{DD}	V	
On Resistance, R_{ON}	85			Ω typ	$V_{DD} = +4.5\text{ V}$, $V_{SS} = -4.5\text{ V}$
	115	140	160	Ω max	$V_S = \pm 3\text{ V}$, $I_{DS} = -1\text{ mA}$, Figure 14
On-Resistance Match Between Channels, ΔR_{ON}	2			Ω typ	$V_S = \pm 3\text{ V}$, $I_{DS} = -1\text{ mA}$
On-Resistance Flatness, $R_{FLAT(ON)}$	4	5.5	6.5	Ω max	$V_S = \pm 3\text{ V}$, $I_{DS} = -1\text{ mA}$
	25			Ω typ	$V_S = \pm 3\text{ V}$, $I_{DS} = -1\text{ mA}$
	40	55	60	Ω max	$V_S = \pm 3\text{ V}$, $I_{DS} = -1\text{ mA}$
LEAKAGE CURRENTS					
Source Off Leakage, I_S (Off)	± 0.01			nA typ	$V_{DD} = +5.5\text{ V}$, $V_{SS} = -5.5\text{ V}$
	± 0.1	± 0.25	± 2	nA max	$V_S = \pm 4.5\text{ V}$, $V_D = \mp 4.5\text{ V}$, Figure 15
Drain Off Leakage, I_D (Off)	± 0.01			nA typ	$V_S = \pm 4.5\text{ V}$, $V_D = \mp 4.5\text{ V}$, Figure 15
	± 0.1	± 0.25	± 2	nA max	$V_S = \pm 4.5\text{ V}$, $V_D = \mp 4.5\text{ V}$, Figure 15
Channel On Leakage, I_D (On), I_S (On)	± 0.01			nA typ	$V_S = V_D = \pm 4.5\text{ V}$, Figure 16
	± 0.1	± 0.25	± 6	nA max	$V_S = V_D = \pm 4.5\text{ V}$, Figure 16
DIGITAL INPUTS					
Input High Voltage, V_{INH}			2.4	V min	
Input Low Voltage, V_{INL}			0.8	V max	
Input Current, I_{INL} or I_{INH}	0.005			μA typ	$V_{IN} = V_{INL}$ or V_{INH}
			± 0.1	μA max	$V_{IN} = V_{INL}$ or V_{INH}
Digital Input Capacitance, C_{IN}	2			pF typ	
DYNAMIC CHARACTERISTICS¹					
Transition Time	70			ns typ	$V_{S1A} = +3\text{ V}$, $V_{S1B} = -3\text{ V}$, $R_L = 300\ \Omega$, $C_L = 35\text{ pF}$, Figure 17
	100	120	150	ns max	$V_{S1A} = +3\text{ V}$, $V_{S1B} = -3\text{ V}$, $R_L = 300\ \Omega$, $C_L = 35\text{ pF}$, Figure 17
t_{ON} Enable	100			ns typ	$R_L = 300\ \Omega$, $C_L = 35\text{ pF}$, $V_S = 3\text{ V}$, Figure 19
	135	170	190	ns max	$R_L = 300\ \Omega$, $C_L = 35\text{ pF}$, $V_S = 3\text{ V}$, Figure 19
t_{OFF} Enable	55			ns typ	$R_L = 300\ \Omega$, $C_L = 35\text{ pF}$, $V_S = 3\text{ V}$, Figure 19
	80	90	100	ns max	$R_L = 300\ \Omega$, $C_L = 35\text{ pF}$, $V_S = 3\text{ V}$, Figure 19
Break-Before-Make Time Delay, t_{BBM}	20			ns typ	$R_L = 300\ \Omega$, $C_L = 35\text{ pF}$, $V_S = 3\text{ V}$, Figure 18
			10	ns min	$R_L = 300\ \Omega$, $C_L = 35\text{ pF}$, $V_S = 3\text{ V}$, Figure 18
Charge Injection	-1.2			pC typ	$V_S = 0\text{ V}$, $R_S = 0\ \Omega$, $C_L = 1\text{ nF}$, Figure 20
Off Isolation	-65			dB typ	$R_L = 50\ \Omega$, $C_L = 5\text{ pF}$, $f = 10\text{ MHz}$, Figure 21
Channel-to-Channel Crosstalk	-65			dB typ	$R_L = 50\ \Omega$, $C_L = 5\text{ pF}$, $f = 10\text{ MHz}$, Figure 23
Bandwidth -3 dB	610			MHz typ	$R_L = 50\ \Omega$, $C_L = 5\text{ pF}$, Figure 22

ADG636

Parameter	+25°C	-40°C to +85°C	-40°C to +125°C	Unit	Test Conditions/Comments
C _S (Off)	5			pF typ	f = 1 MHz
C _D (Off)	8			pF typ	f = 1 MHz
C _D (On), C _S (On)	8			pF typ	f = 1 MHz
POWER REQUIREMENTS					V _{DD} = +5.5 V, V _{SS} = -5.5 V
I _{DD}	0.001		1.0	μA typ μA max	Digital inputs = 0 V or 5.5 V
I _{SS}	0.001		1.0	μA typ μA max	Digital inputs = 0 V or 5.5 V

¹ Guaranteed by design; not subject to production test.

SINGLE SUPPLY

$V_{DD} = 5\text{ V} \pm 10\%$, $V_{SS} = 0\text{ V}$, $GND = 0\text{ V}$. All specifications -40°C to $+125^{\circ}\text{C}$, unless otherwise noted.

Table 2.

Parameter	+25°C	-40°C to +85°C	-40°C to +125°C	Unit	Test Conditions/Comments
ANALOG SWITCH					
Analog Signal Range			0 V to V_{DD}	V	
On Resistance, R_{ON}	210			Ω typ	$V_{DD} = 4.5\text{ V}$, $V_{SS} = 0\text{ V}$ $V_S = 3.5\text{ V}$, $I_{DS} = -1\text{ mA}$, Figure 14
	290	350	380	Ω max	$V_S = 3.5\text{ V}$, $I_{DS} = -1\text{ mA}$, Figure 14
On Resistance Match Between Channels, ΔR_{ON}	3			Ω typ	$V_S = 3.5\text{ V}$, $I_{DS} = -1\text{ mA}$
		12	13	Ω max	$V_S = 3.5\text{ V}$, $I_{DS} = -1\text{ mA}$
LEAKAGE CURRENTS					
Source Off Leakage, I_S (Off)	± 0.01			nA typ	$V_{DD} = 5.5\text{ V}$ $V_S = 1\text{ V}/4.5\text{ V}$, $V_D = 4.5\text{ V}/1\text{ V}$, Figure 15
	± 0.1	± 0.25	± 2	nA max	$V_S = 1\text{ V}/4.5\text{ V}$, $V_D = 4.5\text{ V}/1\text{ V}$, Figure 15
Drain Off Leakage, I_D (Off)	± 0.01			nA typ	$V_S = 1\text{ V}/4.5\text{ V}$, $V_D = 4.5\text{ V}/1\text{ V}$, Figure 15
	± 0.1	± 0.25	± 2	nA max	$V_S = 1\text{ V}/4.5\text{ V}$, $V_D = 4.5\text{ V}/1\text{ V}$, Figure 15
Channel On Leakage, I_D (On), I_S (On)	± 0.01			nA typ	$V_S = V_D = 4.5\text{ V}/1\text{ V}$, Figure 16
	± 0.1	± 0.25	± 6	nA max	$V_S = V_D = 4.5\text{ V}/1\text{ V}$, Figure 16
DIGITAL INPUTS					
Input High Voltage, V_{INH}			2.4	V min	
Input Low Voltage, V_{INL}			0.8	V max	
Input Current, I_{INL} or I_{INH}	0.005			μA typ	$V_{IN} = V_{INL}$ or V_{INH}
			± 0.1	μA max	$V_{IN} = V_{INL}$ or V_{INH}
Digital Input Capacitance, C_{IN}	2			pF typ	
DYNAMIC CHARACTERISTICS¹					
Transition Time	90			ns typ	$V_{S1A} = 3\text{ V}$, $V_{S1B} = 0\text{ V}$, $R_L = 300\ \Omega$, $C_L = 35\text{ pF}$, Figure 17
	150	185	210	ns max	$V_{S1A} = 3\text{ V}$, $V_{S1B} = 0\text{ V}$, $R_L = 300\ \Omega$, $C_L = 35\text{ pF}$, Figure 17
t_{ON} Enable	135			ns typ	$R_L = 300\ \Omega$, $C_L = 35\text{ pF}$, $V_S = 3\text{ V}$, Figure 19
	180	235	275	ns max	$R_L = 300\ \Omega$, $C_L = 35\text{ pF}$, $V_S = 3\text{ V}$, Figure 19
t_{OFF} Enable	70			ns typ	$R_L = 300\ \Omega$, $C_L = 35\text{ pF}$, $V_S = 3\text{ V}$, Figure 19
	105	120	135	ns max	$R_L = 300\ \Omega$, $C_L = 35\text{ pF}$, $V_S = 3\text{ V}$, Figure 19
Break-Before-Make Time Delay, t_{BBM}	30			ns typ	$R_L = 300\ \Omega$, $C_L = 35\text{ pF}$, $V_S = 3\text{ V}$, Figure 18
			10	ns min	$R_L = 300\ \Omega$, $C_L = 35\text{ pF}$, $V_S = 3\text{ V}$, Figure 18
Charge Injection	0.3			pC typ	$V_S = 0\text{ V}$, $R_S = 0\ \Omega$, $C_L = 1\text{ nF}$, Figure 20
Off Isolation	-60			dB typ	$R_L = 50\ \Omega$, $C_L = 5\text{ pF}$, $f = 10\text{ MHz}$, Figure 21
Channel-to-Channel Crosstalk	-65			dB typ	$R_L = 50\ \Omega$, $C_L = 5\text{ pF}$, $f = 10\text{ MHz}$, Figure 23
Bandwidth -3 dB	530			MHz typ	$R_L = 50\ \Omega$, $C_L = 5\text{ pF}$, Figure 22
C_S (Off)	5			pF typ	$f = 1\text{ MHz}$
C_D (Off)	8			pF typ	$f = 1\text{ MHz}$
C_D (On), C_S (On)	8			pF typ	$f = 1\text{ MHz}$

ADG636

Parameter	+25°C	-40°C to +85°C	-40°C to +125°C	Unit	Test Conditions/Comments
POWER REQUIREMENTS					$V_{DD} = 5.5\text{ V}$
I_{DD}	0.001		1.0	$\mu\text{A typ}$ $\mu\text{A max}$	Digital inputs = 0V or 5.5V Digital inputs = 0V or 5.5V

¹ Guaranteed by design; not subject to production test.

$V_{DD} = 3\text{ V} \pm 10\%$, $V_{SS} = 0\text{ V}$, $GND = 0\text{ V}$. All specifications -40°C to $+125^{\circ}\text{C}$, unless otherwise noted.

Table 3.

Parameter	+25°C	-40°C to +85°C	-40°C to +125°C	Unit	Test Conditions/Comments
ANALOG SWITCH					
Analog Signal Range	0 V to V_{DD}			V	
On Resistance, R_{ON}	380	420	460	Ω typ	$V_{DD} = 2.7\text{ V}$, $V_{SS} = 0\text{ V}$ $V_S = 1.5\text{ V}$, $I_{DS} = -1\text{ mA}$, Figure 14
On Resistance Match Between Channels, ΔR_{ON}	5			Ω typ	$V_S = 1.5\text{ V}$, $I_{DS} = -1\text{ mA}$
LEAKAGE CURRENTS					
Source Off Leakage, I_S (Off)	± 0.01			nA typ	$V_{DD} = 3.3\text{ V}$ $V_S = 1\text{ V}/3\text{ V}$, $V_D = 3\text{ V}/1\text{ V}$, Figure 15
	± 0.1	± 0.25	± 2	nA max	$V_S = 1\text{ V}/3\text{ V}$, $V_D = 3\text{ V}/1\text{ V}$, Figure 15
Drain Off Leakage, I_D (Off)	± 0.01			nA typ	$V_S = 1\text{ V}/3\text{ V}$, $V_D = 3\text{ V}/1\text{ V}$, Figure 15
	± 0.1	± 0.25	± 2	nA max	$V_S = 1\text{ V}/3\text{ V}$, $V_D = 3\text{ V}/1\text{ V}$, Figure 15
Channel On Leakage, I_D (On), I_S (On)	± 0.01			nA typ	$V_S = V_D = 1\text{ V}/3\text{ V}$, Figure 16
	± 0.1	± 0.25	± 6	nA max	$V_S = V_D = 1\text{ V}/3\text{ V}$, Figure 16
DIGITAL INPUTS					
Input High Voltage, V_{INH}	2.0			V min	
Input Low Voltage, V_{INL}	0.8			V max	
Input Current, I_{INL} or I_{INH}	0.005			μA typ	$V_{IN} = V_{INL}$ or V_{INH}
				μA max	$V_{IN} = V_{INL}$ or V_{INH}
Digital Input Capacitance, C_{IN}	2			pF typ	
DYNAMIC CHARACTERISTICS¹					
Transition Time	170			ns typ	$V_{S1A} = 2\text{ V}$, $V_{S1B} = 0\text{ V}$, $R_L = 300\ \Omega$, $C_L = 35\text{ pF}$, Figure 17
	320	390	450	ns max	$V_{S1A} = 2\text{ V}$, $V_{S1B} = 0\text{ V}$, $R_L = 300\ \Omega$, $C_L = 35\text{ pF}$, Figure 17
t_{ON} Enable	250			ns typ	$R_L = 300\ \Omega$, $C_L = 35\text{ pF}$, $V_S = 2\text{ V}$, Figure 19
	360	460	530	ns max	$R_L = 300\ \Omega$, $C_L = 35\text{ pF}$, $V_S = 2\text{ V}$, Figure 19
t_{OFF} Enable	110			ns typ	$R_L = 300\ \Omega$, $C_L = 35\text{ pF}$, $V_S = 2\text{ V}$, Figure 19
	175	205	230	ns max	$R_L = 300\ \Omega$, $C_L = 35\text{ pF}$, $V_S = 2\text{ V}$, Figure 19
Break-Before-Make Time Delay, t_{BBM}	80			ns typ	$R_L = 300\ \Omega$, $C_L = 35\text{ pF}$, $V_{S1} = 2\text{ V}$, Figure 18
			10	ns min	$R_L = 300\ \Omega$, $C_L = 35\text{ pF}$, $V_{S1} = 2\text{ V}$, Figure 18
Charge Injection	0.6			pC typ	$V_S = 0\text{ V}$, $R_S = 0\ \Omega$, $C_L = 1\text{ nF}$, Figure 20
Off Isolation	-60			dB typ	$R_L = 50\ \Omega$, $C_L = 5\text{ pF}$, $f = 10\text{ MHz}$, Figure 21
Channel-to-Channel Crosstalk	-65			dB typ	$R_L = 50\ \Omega$, $C_L = 5\text{ pF}$, $f = 10\text{ MHz}$, Figure 23
Bandwidth -3 dB	530			MHz typ	$R_L = 50\ \Omega$, $C_L = 5\text{ pF}$, Figure 22
C_S (Off)	5			pF typ	$f = 1\text{ MHz}$
C_D (Off)	8			pF typ	$f = 1\text{ MHz}$
C_D (On), C_S (On)	8			pF typ	$f = 1\text{ MHz}$

ADG636

Parameter	+25°C	-40°C to +85°C	-40°C to +125°C	Unit	Test Conditions/Comments
POWER REQUIREMENTS					$V_{DD} = 3.3\text{ V}$
I_{DD}	0.001		1.0	$\mu\text{A typ}$ $\mu\text{A max}$	Digital inputs = 0 V or 3.3 V Digital inputs = 0 V or 3.3 V

¹ Guaranteed by design; not subject to production test.

ABSOLUTE MAXIMUM RATINGS

$T_A = 25^\circ\text{C}$, unless otherwise noted.

Table 4.

Parameter	Rating
V_{DD} to V_{SS}	13 V
V_{DD} to GND	-0.3 V to +6.5 V
V_{SS} to GND	+0.3 V to -6.5 V
Analog Inputs ¹	$V_{SS} - 0.3\text{ V}$ to $V_{DD} + 0.3\text{ V}$
Digital Inputs ¹	-0.3 V to $V_{DD} + 0.3\text{ V}$ or 30 mA, whichever occurs first
Peak Current, S or D (Pulsed at 1 ms, 10% Duty Cycle Maximum)	20 mA
Continuous Current, S or D	10 mA
Operating Temperature Range	-40°C to +125°C
Storage Temperature Range	-65°C to +150°C
Junction Temperature	150°C
TSSOP Package	
θ_{JA} Thermal Impedance	150°C/W
θ_{JC} Thermal Impedance	27°C/W
Lead Soldering	
Lead Temperature, Soldering (10 sec)	300°C
IR Reflow, Peak Temperature (<20 sec)	220°C
Pb-Free Soldering	
Reflow, Peak Temperature	260(+0/-5)°C
Time at Peak Temperature	20 sec to 40 sec

¹ Overvoltages at EN, A0, A1, S, or D are clamped by internal diodes. Current should be limited to the maximum ratings given.

Stresses above those listed under Absolute Maximum Ratings may cause permanent damage to the device. This is a stress rating only; functional operation of the device at these or any other conditions above those indicated in the operational section of this specification is not implied. Exposure to absolute maximum rating conditions for extended periods may affect device reliability.

ESD CAUTION



ESD (electrostatic discharge) sensitive device.

Charged devices and circuit boards can discharge without detection. Although this product features patented or proprietary protection circuitry, damage may occur on devices subjected to high energy ESD. Therefore, proper ESD precautions should be taken to avoid performance degradation or loss of functionality.

ADG636

PIN CONFIGURATION AND FUNCTION DESCRIPTIONS

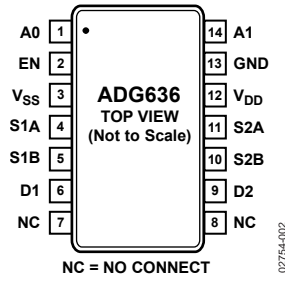


Figure 2. Pin Configuration

Table 5. Pin Function Descriptions

Pin number	Mnemonic	Description
1	A0	Digital Input (LSB).
2	EN	Active High Digital Input.
3	V _{SS}	Negative Power Supply. For single-supply operation, connect this pin to GND.
4	S1A	Source Terminal. Can be an input or output.
5	S1B	Source Terminal. Can be an input or output.
6	D1	Drain Terminal. Can be an input or output.
7	NC	Not Electrically Connected.
8	NC	Not Electrically Connected.
9	D2	Drain Terminal. Can be an input or output.
10	S2B	Source Terminal. Can be an input or output.
11	S2A	Source Terminal. Can be an input or output.
12	V _{DD}	Positive Power Supply.
13	GND	Ground (0 V) Power Supply.
14	A1	Digital Input (MSB).

Table 6. Truth Table

A1	A0	EN	On Switch
X ¹	X ¹	0	None
0	0	1	S1A, S2A
0	1	1	S1B, S2A
1	0	1	S1A, S2B
1	1	1	S1A, S2B

¹ X = logic state doesn't matter; it can be either 0 or 1.

TYPICAL PERFORMANCE CHARACTERISTICS



Figure 3. On Resistance vs. V_D (V_S), Dual Supply

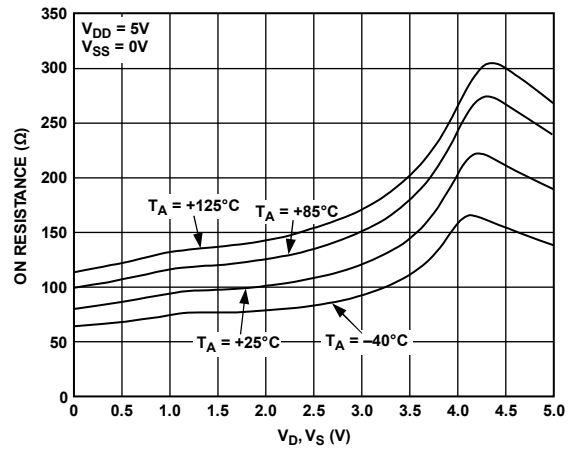


Figure 6. On Resistance vs. V_D (V_S) for Different Temperatures, Single Supply



Figure 4. On Resistance vs. V_D (V_S), Single Supply

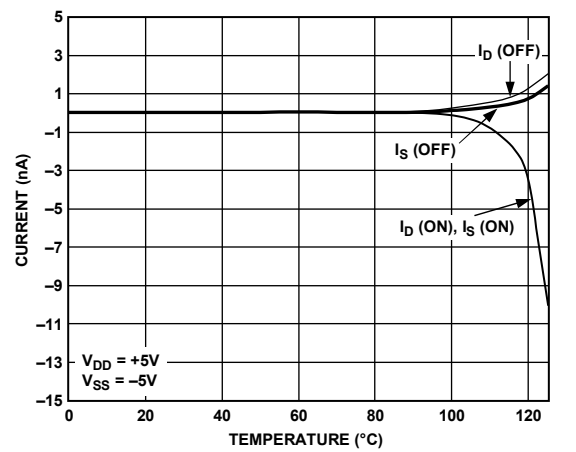


Figure 7. Leakage Currents vs. Temperatures, Dual Supply

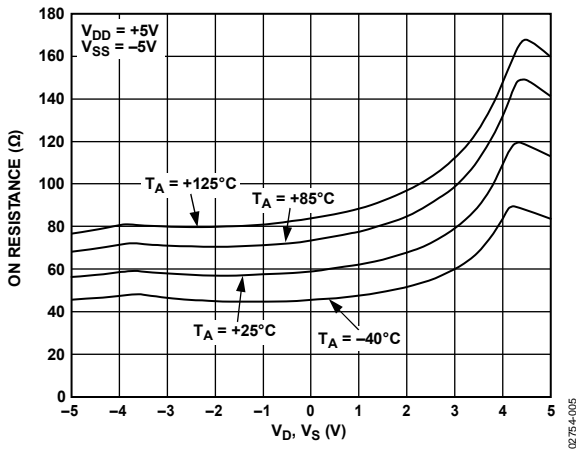


Figure 5. On Resistance vs. V_D (V_S) for Different Temperatures, Dual Supply

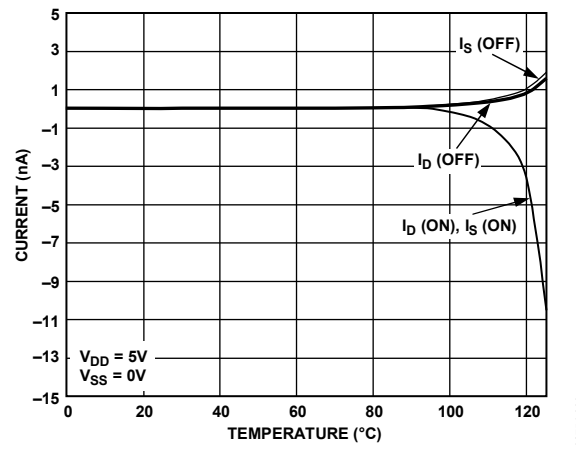


Figure 8. Leakage Currents vs. Temperature, Single Supply

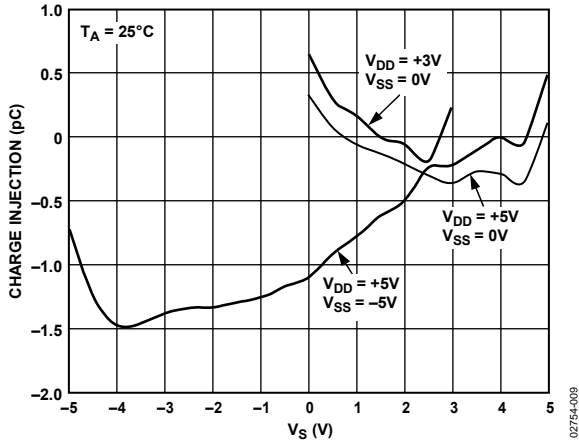


Figure 9. Charge Injection vs. Source Voltage

02754-009

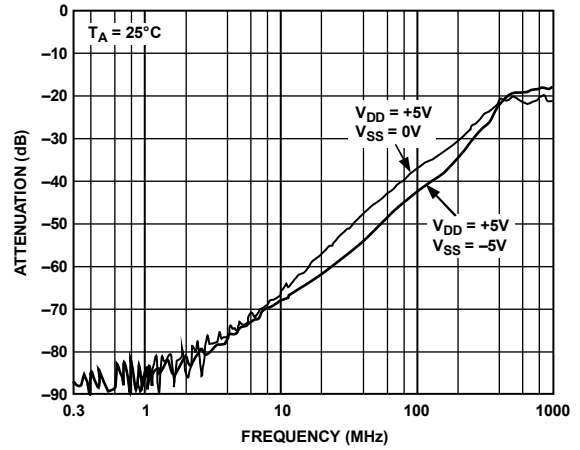


Figure 12. Crosstalk vs. Frequency

02754-012

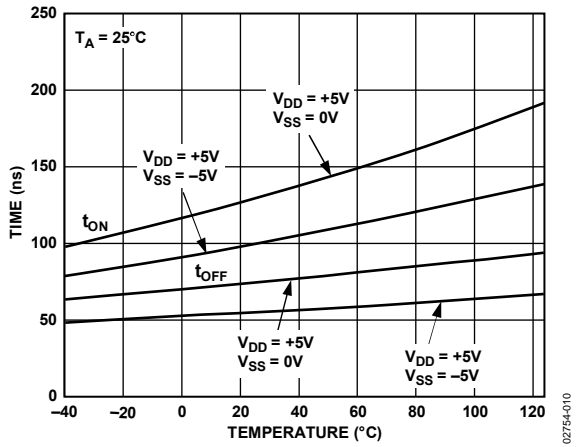


Figure 10. t_{ON}/t_{OFF} Enable Timing vs. Temperature

02754-010

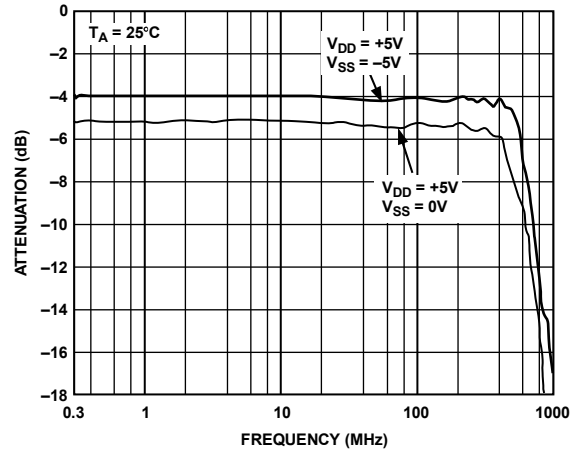


Figure 13. On Response vs. Frequency

02754-013

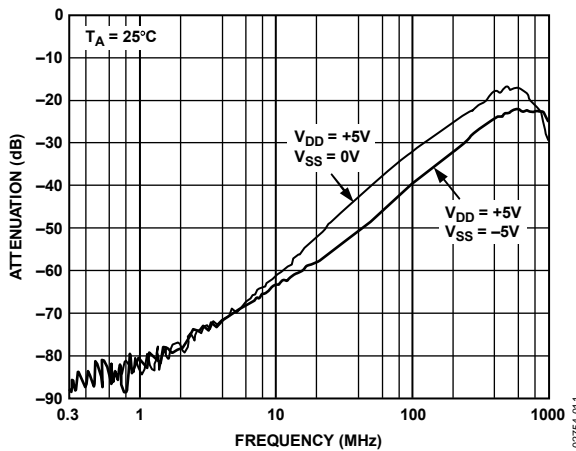


Figure 11. Off Isolation vs. Frequency

02754-011

TEST CIRCUITS

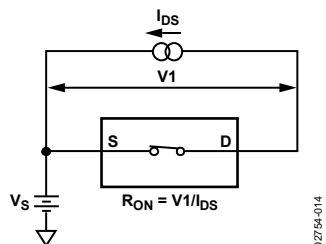


Figure 14. On Resistance

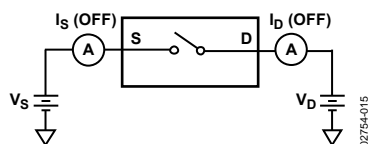


Figure 15. Off Leakage

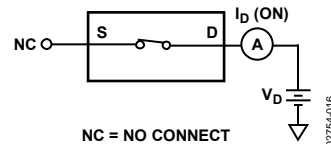


Figure 16. On Leakage

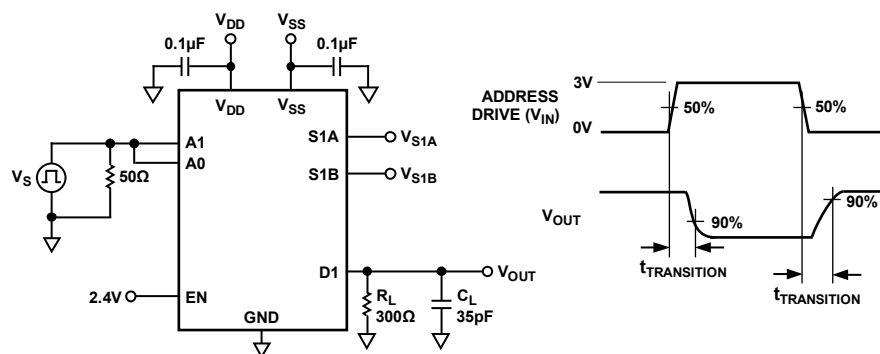


Figure 17. Transition Time, $t_{\text{TRANSITION}}$

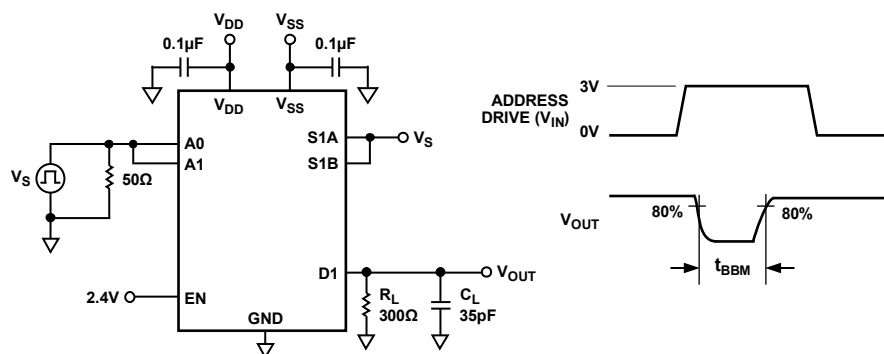


Figure 18. Break-Before-Make Delay, t_{BBM}

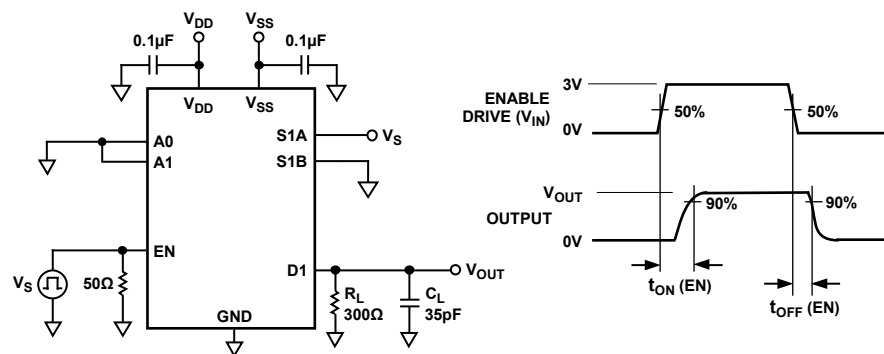


Figure 19. Enable Delay, $t_{\text{ON}}(\text{EN})$, $t_{\text{OFF}}(\text{EN})$

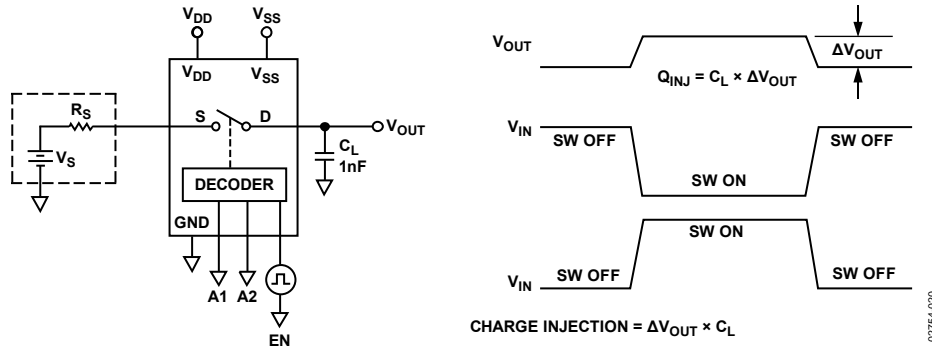


Figure 20. Charge Injection

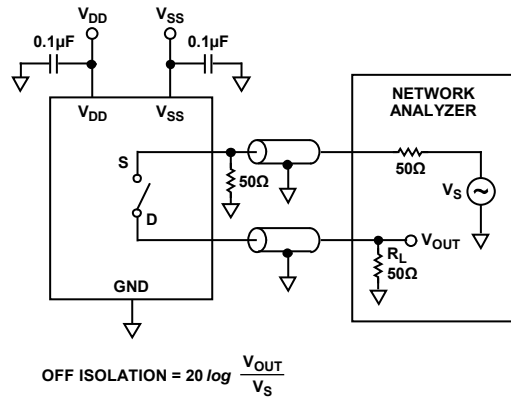


Figure 21. Off Isolation

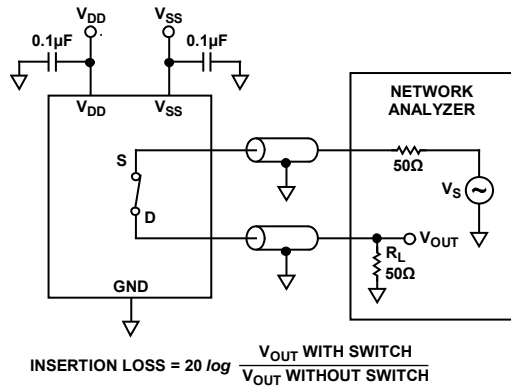


Figure 22. Bandwidth

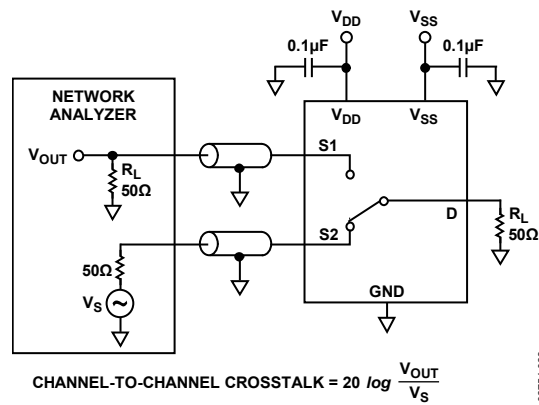


Figure 23. Channel-to-Channel Crosstalk

TERMINOLOGY

V_{DD}

Most positive supply potential.

V_{SS}

Most negative power supply in a dual-supply application.

In single-supply applications, this should be tied to ground at the device.

GND

Ground (0 V) reference.

I_{DD}

Positive supply current.

I_{SS}

Negative supply current.

S

Source terminal. May be an input or output.

D

Drain terminal. May be an input or output.

R_{ON}

Ohmic resistance between Terminal D and Terminal S.

ΔR_{ON}

On resistance match between any two channels (that is, $R_{ON\ max} - R_{ON\ min}$).

$R_{FLAT(ON)}$

Flatness is defined as the difference between the maximum and minimum values of on resistance as measured over the specified analog signal range.

I_S (**Off**)

Source leakage current with the switch off.

I_D (**Off**)

Drain leakage current with the switch off.

I_D (**On**), I_S (**On**)

Channel leakage current with the switch on.

V_D, V_S

Analog voltage on Terminal D and Terminal S.

V_{INL}

Maximum input voltage for Logic 0.

V_{INH}

Minimum input voltage for Logic 1.

$I_{INL(INH)}$

Input current of the digital input.

C_S (**Off**)

Channel input capacitance for the off condition.

C_D (**Off**)

Channel output capacitance for the off condition.

C_D (**On**), C_S (**On**)

On switch capacitance.

C_{IN}

Digital input capacitance.

t_{ON} (**EN**)

Delay time between the 50% and 90% points of the digital input and the switch on condition.

t_{OFF} (**EN**)

Delay time between the 50% and 90% points of the digital input and the switch off condition.

$t_{TRANSITION}$

Delay time between the 50% and 90% points of the digital input and the switch on condition when switching from one address state to another.

t_{BEM}

Off time or on time measured between the 80% points of both switches when switching from one address state to another.

Charge Injection

A measure of the glitch impulse transferred from the digital input to the analog output during switching.

Crosstalk

A measure of unwanted signal that is coupled through from one channel to another as a result of parasitic capacitance.

Off Isolation

A measure of unwanted signal coupling through an off switch.

Bandwidth

The frequency response of the on switch.

Insertion Loss

Loss due to the on resistance of the switch.

OUTLINE DIMENSIONS



COMPLIANT TO JEDEC STANDARDS MO-153-AB-1
 CONTROLLING DIMENSIONS ARE IN MILLIMETERS; INCH DIMENSIONS
 (IN PARENTHESES) ARE ROUNDED-OFF MILLIMETER EQUIVALENTS FOR
 REFERENCE ONLY AND ARE NOT APPROPRIATE FOR USE IN DESIGN.

Figure 24. 14-Lead Thin Shrink Small Outline Package [TSSOP]
 (RU-14)

Dimensions shown in millimeters and (inches)

061908-A

ORDERING GUIDE

Model	Temperature Range	Package Description	Package Option
ADG636YRU	-40°C to +125°C	14-Lead Thin Shrink Small Outline Package [TSSOP]	RU-14
ADG636YRU-REEL	-40°C to +125°C	14-Lead Thin Shrink Small Outline Package [TSSOP]	RU-14
ADG636YRUZ ¹	-40°C to +125°C	14-Lead Thin Shrink Small Outline Package [TSSOP]	RU-14
ADG636YRUZ-REEL ¹	-40°C to +125°C	14-Lead Thin Shrink Small Outline Package [TSSOP]	RU-14
ADG636YRUZ-REEL 7 ¹	-40°C to +125°C	14-Lead Thin Shrink Small Outline Package [TSSOP]	RU-14

¹ Z = RoHS Compliant Part.